
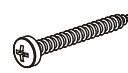
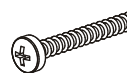
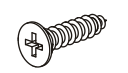

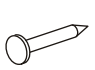




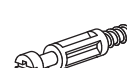
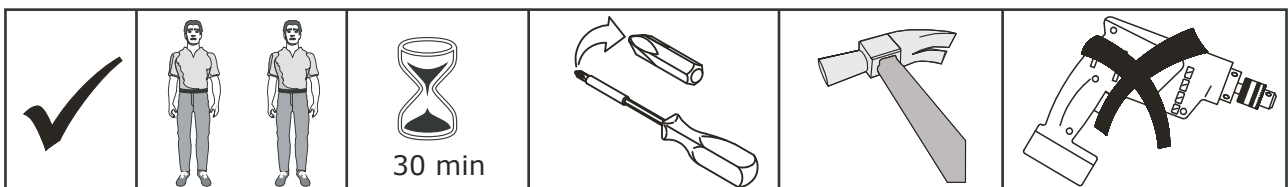
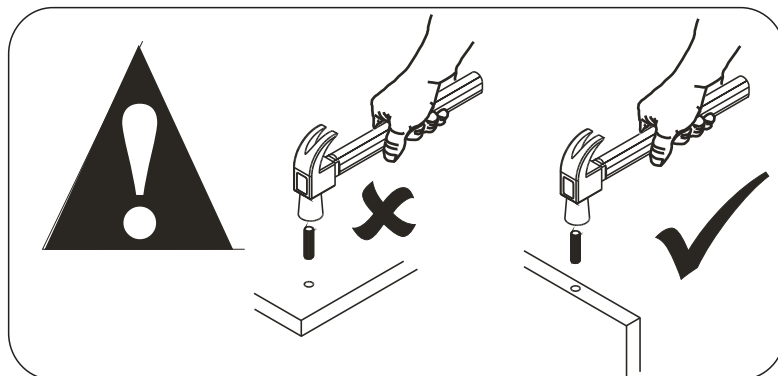
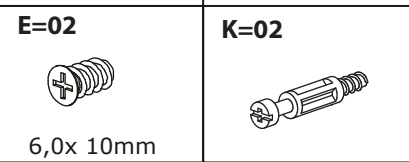
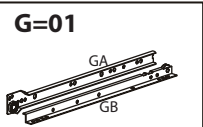
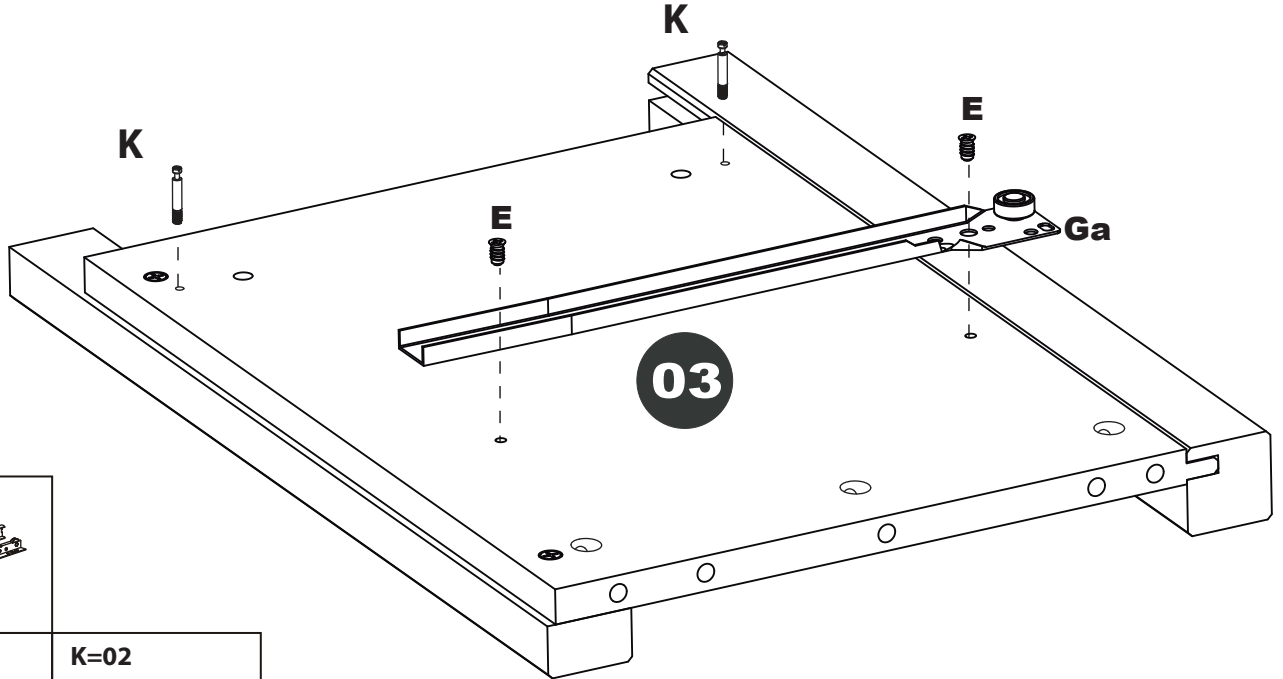
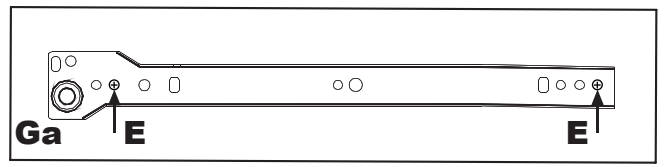
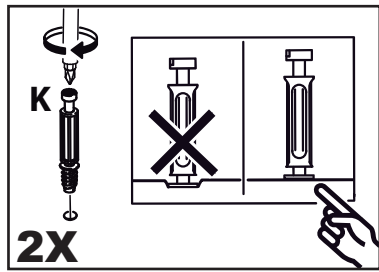


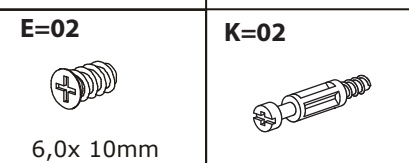
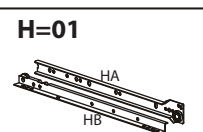
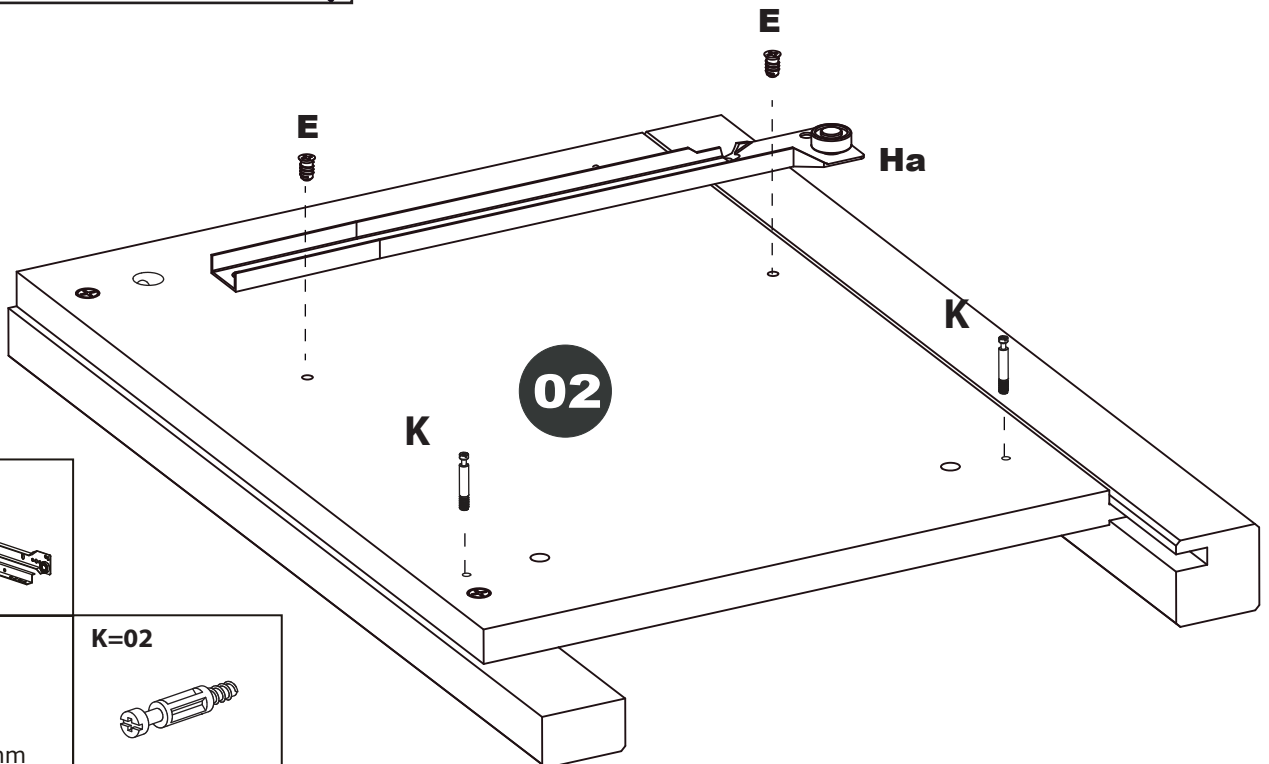
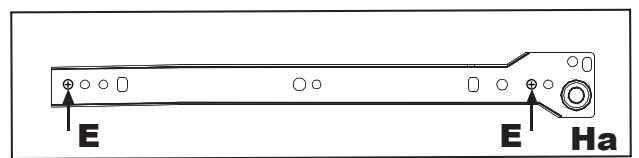
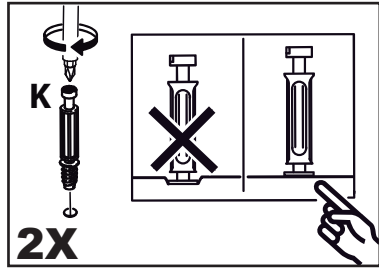
A=16  8,0 x 30mm	B=08  3,5 x 30mm	C=05  4,0 x 40mm	D=06  3,0x 16mm	E=04  6,0x 10mm
F=11 	G=01 	H=01 	I=01 	J=10 
		K=10 		



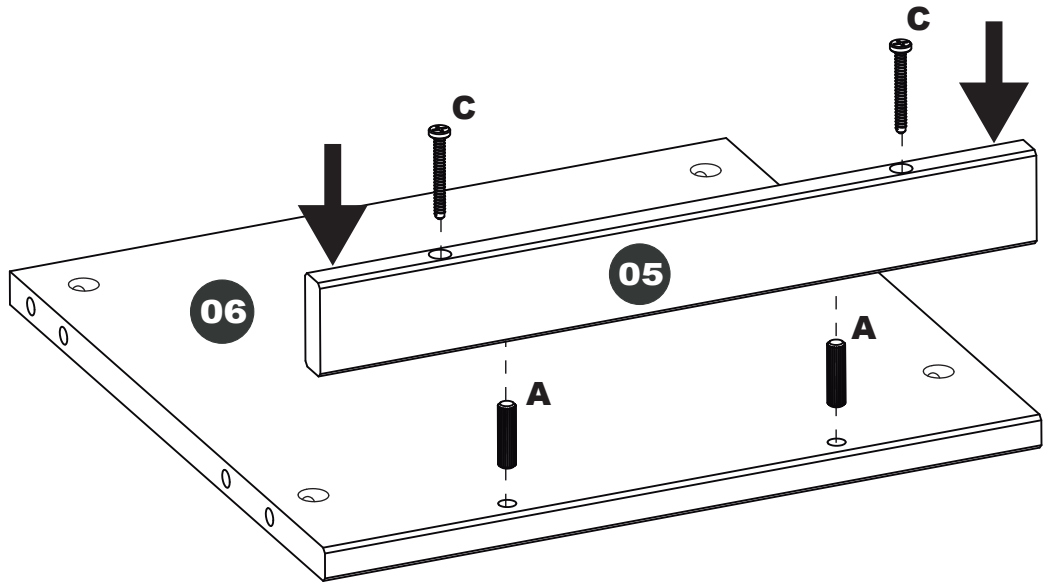
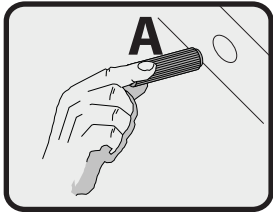
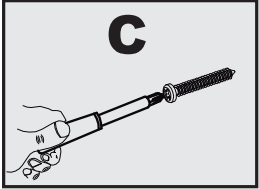
1



2



3



A=02



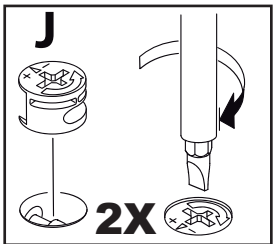
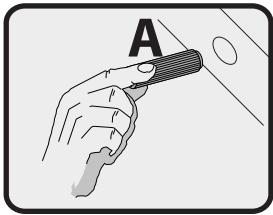
8,0 x 30mm

C=02



4,0 x 40mm

4

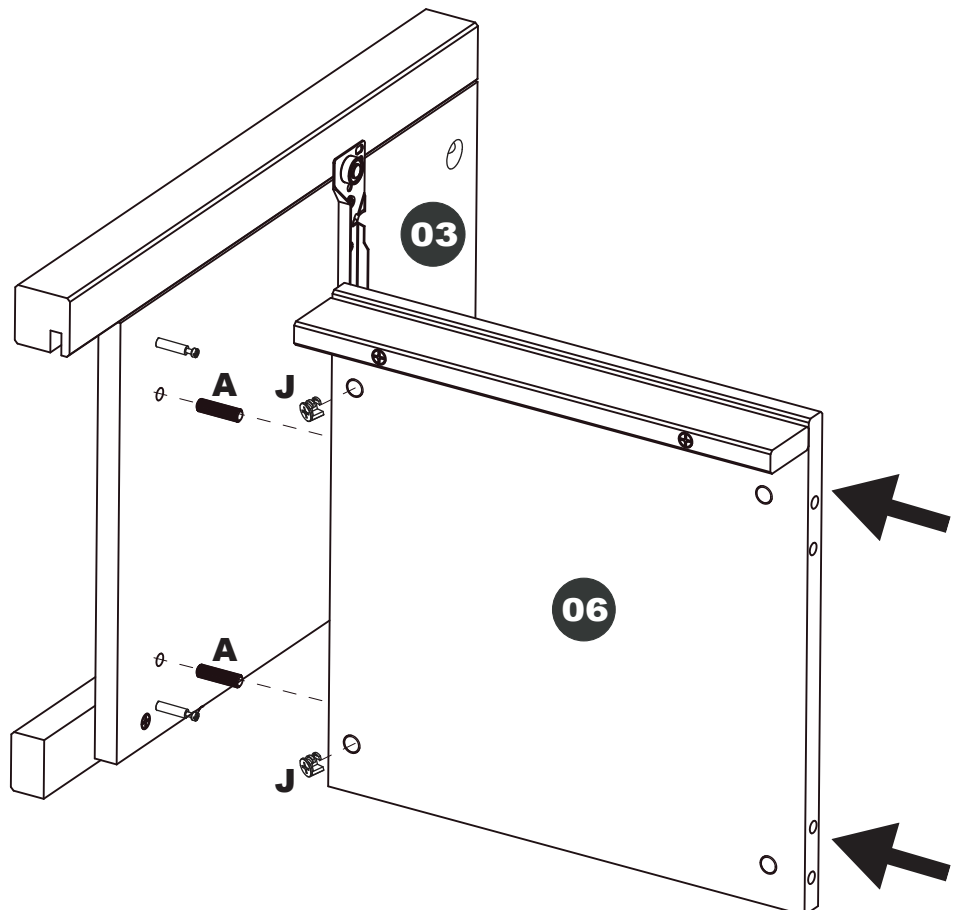


A=02

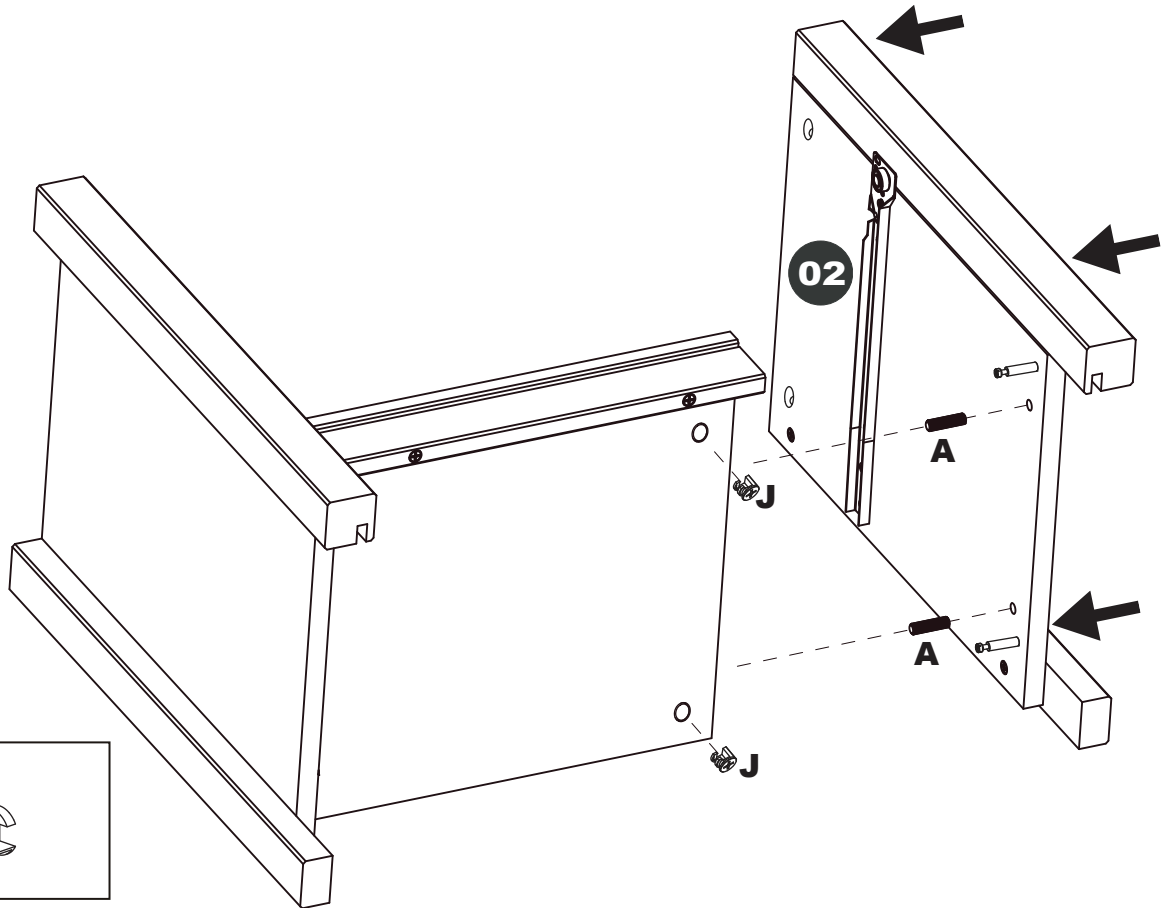
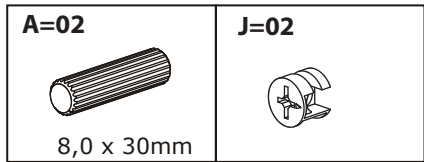
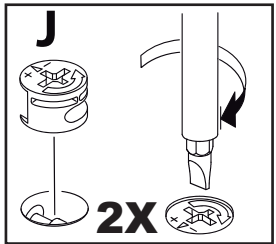
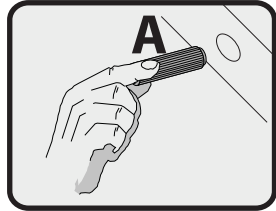


8,0 x 30mm

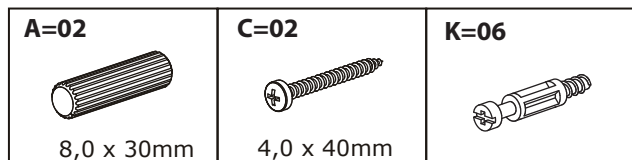
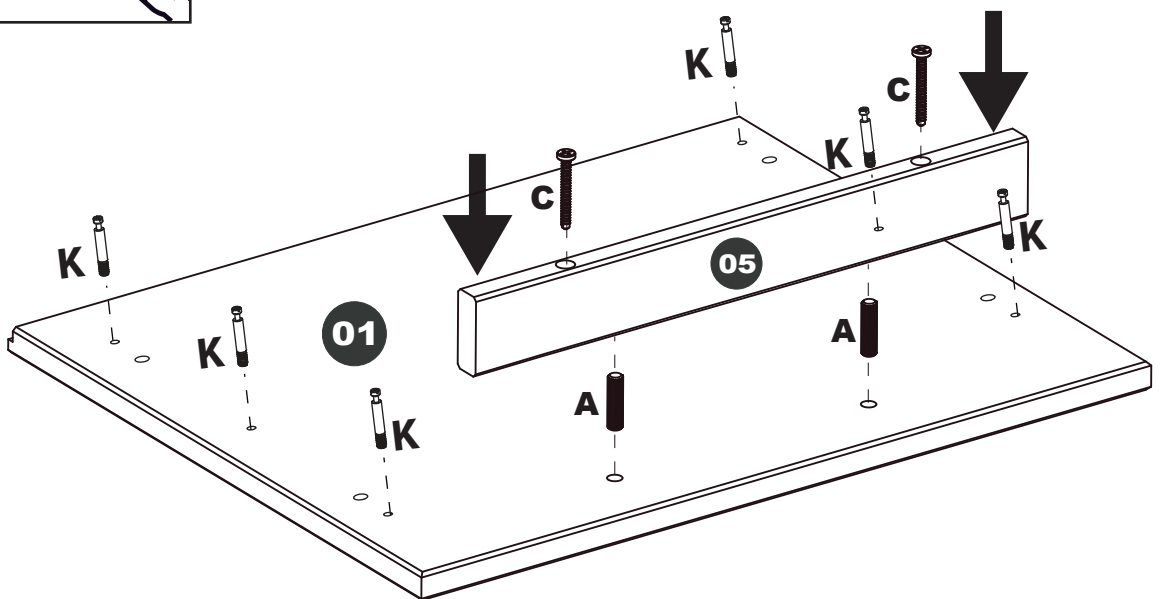
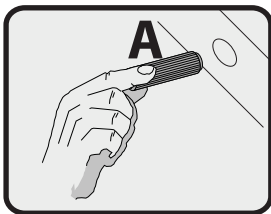
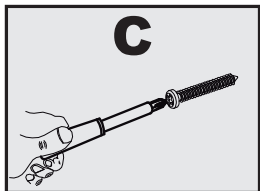
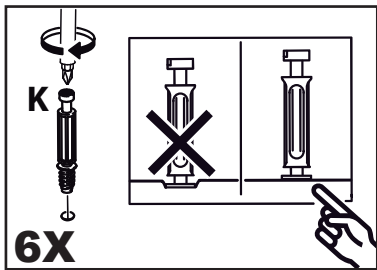
J=02



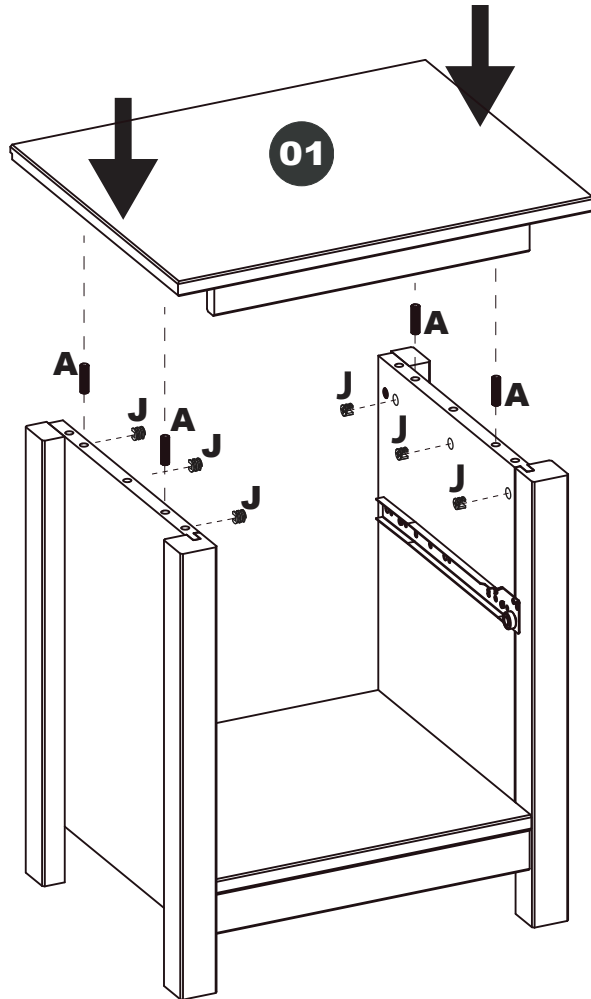
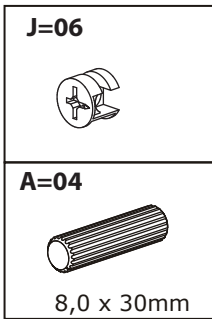
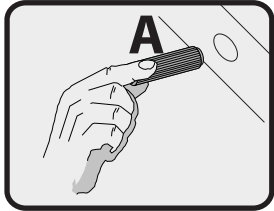
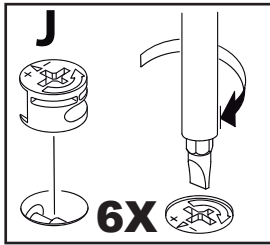
5



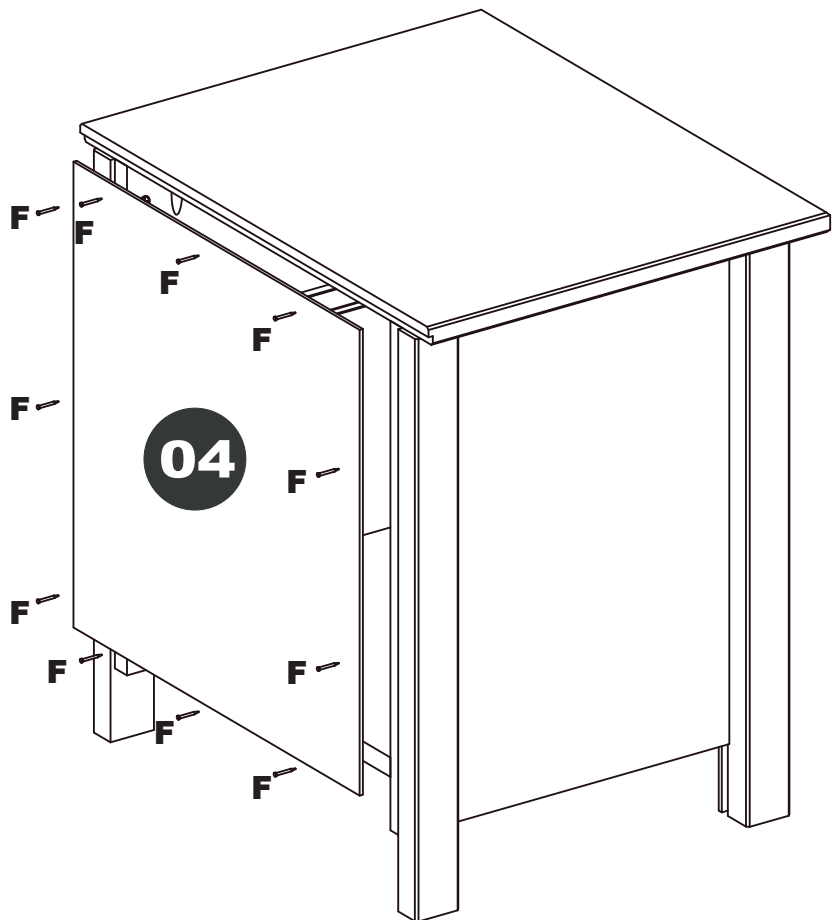
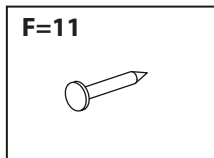
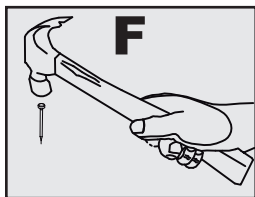
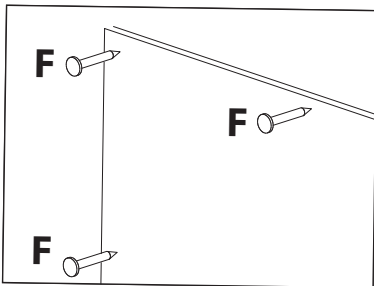
6



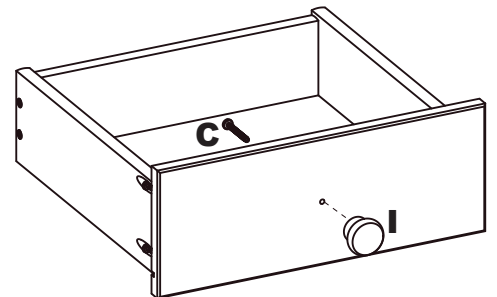
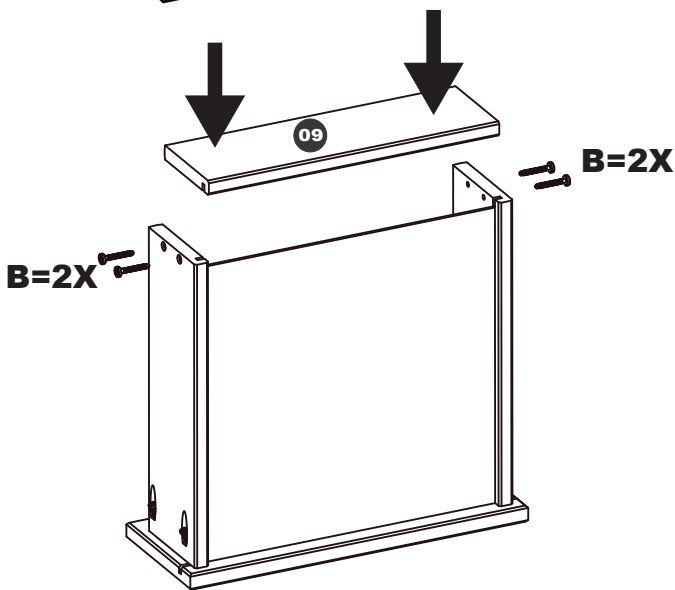
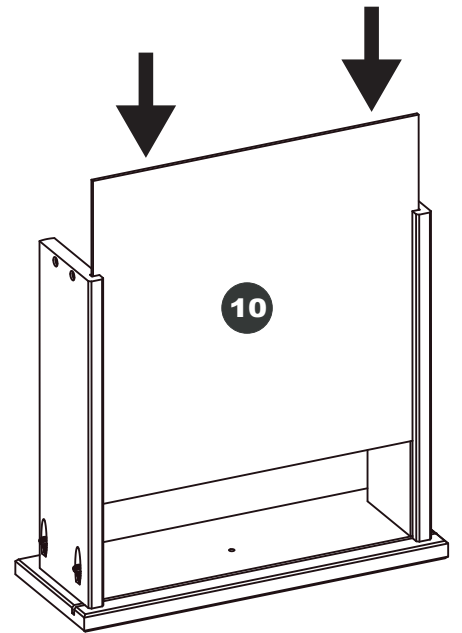
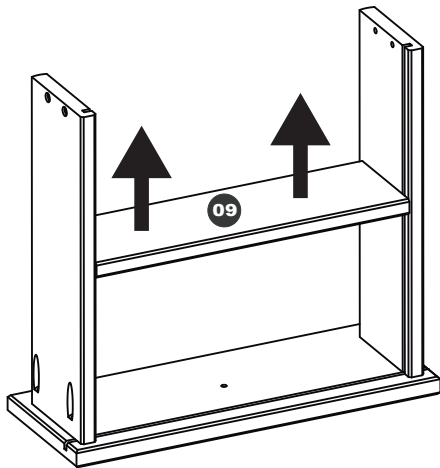
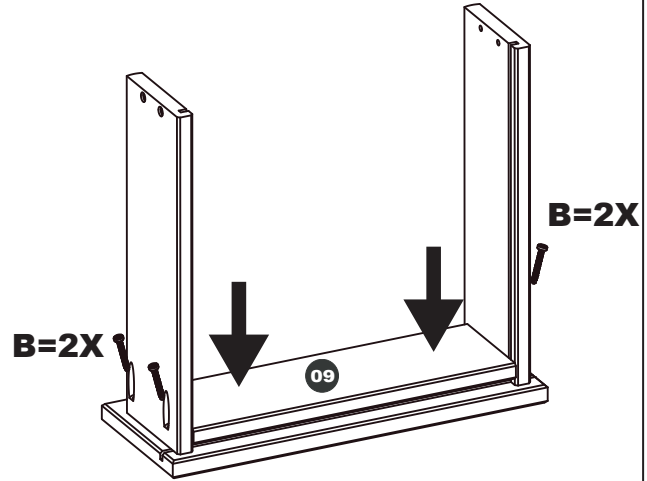
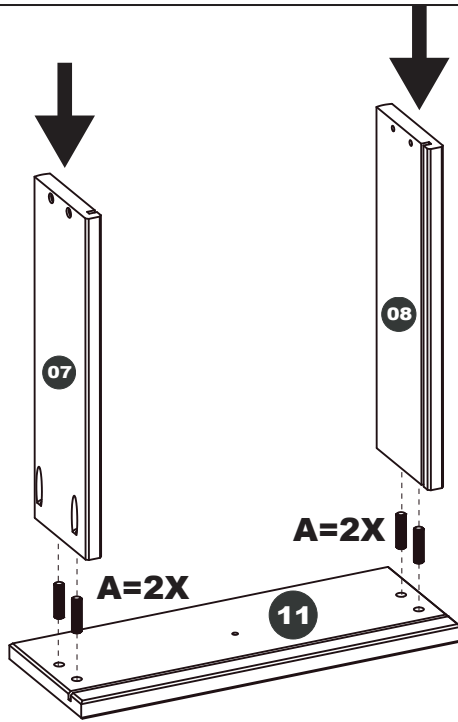
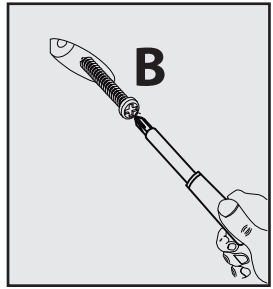
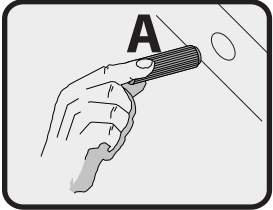
7



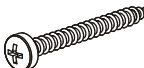



8

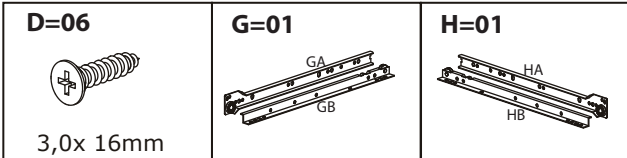
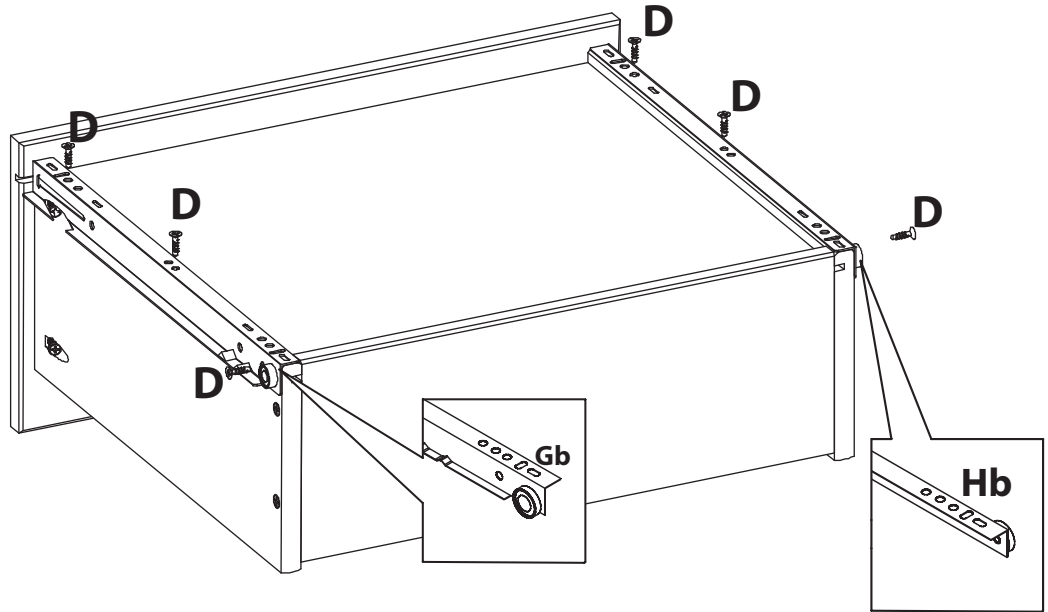
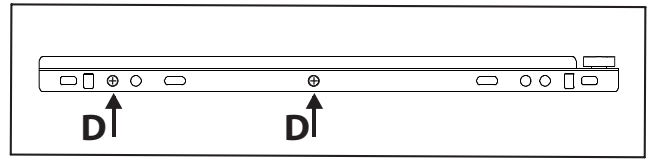


9



A=04  8,0 x 30mm	B=08  3,5 x 30mm	C=01  4,0 x 40mm	I=01 
--	--	--	--

10



11

